

THIS DRAWING IS UNPUBLISHED.

RELEASED FOR PUBLICATION

© COPYRIGHT - By TYCO ELECTRONICS CORPORATION.

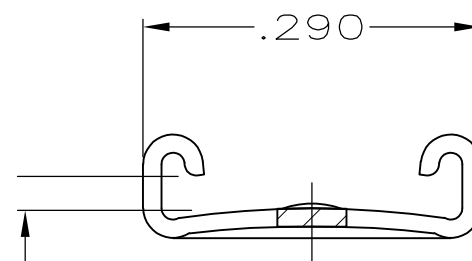
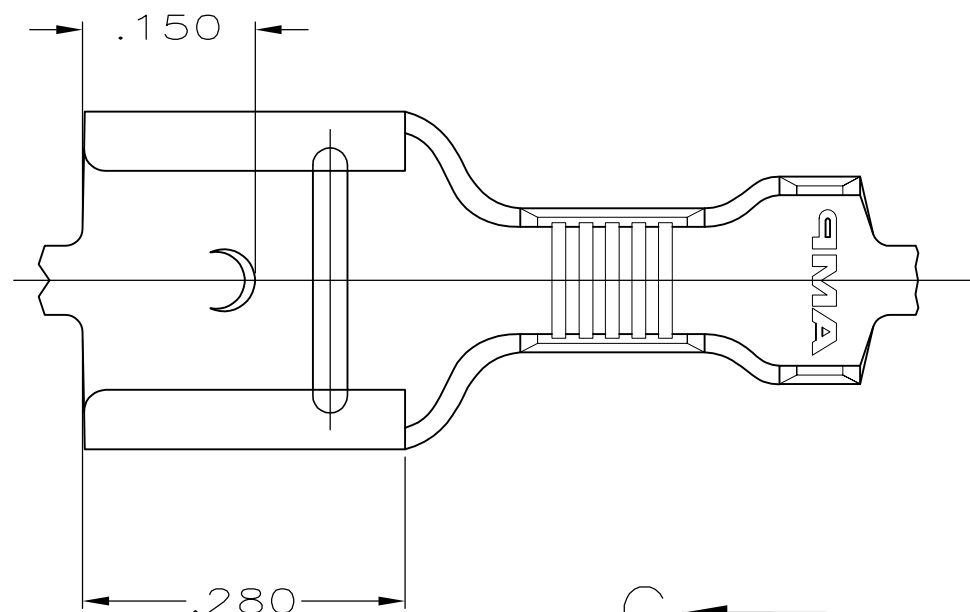
ALL RIGHTS RESERVED.

LOC AF DIST 50

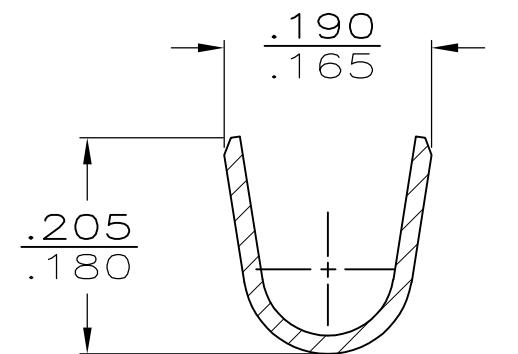
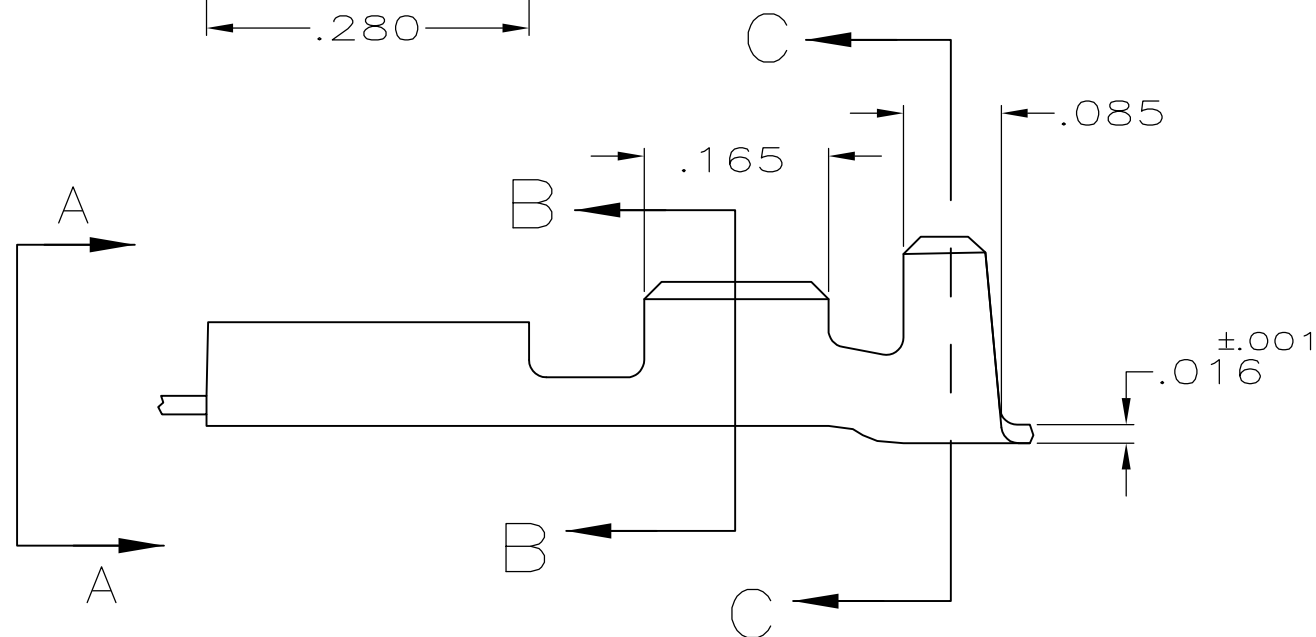
REVISIONS

P	LTR	DESCRIPTION	DATE	DWN	APVD
	D	REVISE PER ECR-13-013738	15FEB2014	GRZ	JL

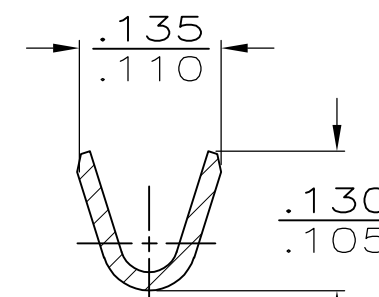
1 CONTINUOUS STRIP ON REELS.



FITS .250 SERIES FASTON TAB
VIEW A-A



SECTION C-C



SECTION B-B

.100-.140	1000-3000	23-20	20-16	.020	62080-1
INSULATION RANGE	CMA	2 MAGNET	1 MAGNET	MATING TAB THK ±.001	PART NUMBER
WIRE SIZE					

THIS DRAWING IS A CONTROLLED DOCUMENT.		DWN JR RUTH 8/28/95	STE TE Connectivity		
DIMENSIONS: INCHES		CHK MS FEHER 8/28/95			
TOLERANCES UNLESS OTHERWISE SPECIFIED:		APVD 8/28/95 P DESANTIS	NAME		
0 PLC ± -		PRODUCT SPEC 8/28/95 R REINER	RECEPTACLE, FASTON, AMPLIVAR, .250 SERIES		
1 PLC ± -		APPLICATION SPEC	SIZE	CAGE CODE	DRAWING NO
2 PLC ± -		114-2144	A3	00779	C-62080
3 PLC ± .015		WEIGHT -	RESTRICTED TO		
4 PLC ± -		CUSTOMER DRAWING	-		
ANGLES ± -		SCALE 6:1	SHEET 1 OF 1		REV D
FINISH -					
MATERIAL BRASS					